

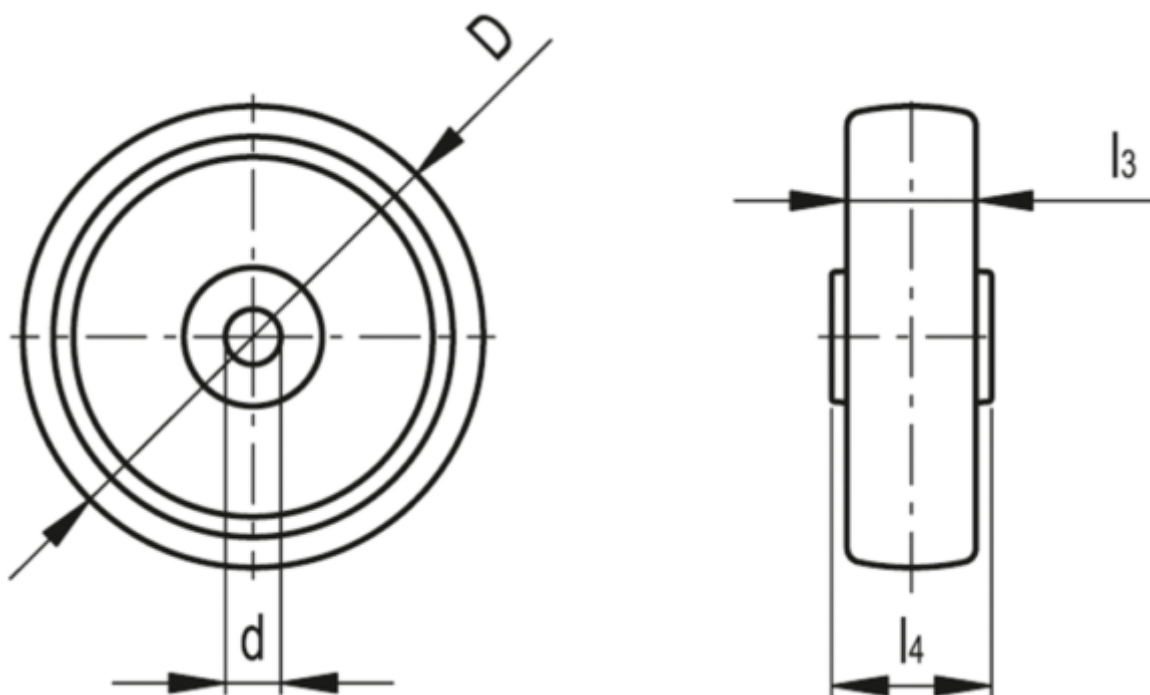
Data Sheet



Article number: 2314451006

Description: E+G polyurethane wheel 451006
RE.FF-100-RBL - Loose wheel

Measures



Code	= 451006	Type	= RE.FF-100-RBL
D	= 100	Weight (g)	= 150
d	= 12		
Dynamic load (N)	= 1700		
l3	= 30		
l4	= 44		
Max static load (N)	= 3000		
Rolling resistance (N)	= 1700		